

DESIGNED BY

fantini

gorenje

THE TOUCH OF LIGHT



5 YEAR
GUARANTEE



PINK IS THE NEW BLACK

KARIM RASHID. A GLOBAL ICON OF MODERN DESIGN. New York-based designer Karim Rashid is one of the most prolific designers of his generation. Over 3,000 designs in production, over 300 awards and working in over 35 countries attest to Karim's legend of design. He applies his talents to numerous fields: furniture, architecture, lighting, tableware, and - from now on household appliances.

The award-winning industrial designer has undertaken projects for hundreds of clients all around the world; Alessi, Artemide, Audi, Bozart, Cappellini, Estée Lauder, Giorgio Armani, Issey Miyake, Kenzo, Prada, Sony, Toyota and Umbra just to name the most prestigious ones. Karim Rashid is a perennial winner of the Red Dot Award, Chicago Athenaeum Good Design Award, I.D. Magazine Annual Design Review, IDSA Industrial Design Excellence Award and many others.



SENSUAL AND PURE. MINIMALIST AND ORGANIC. His style is best described as sensual minimalism. His ideas are techno-organic and info-aesthetic. They combine natural soft lines with convenient solutions.

»Good design is a rapture of experience. I believe objects and spaces should not be obstacles in life but raptures of experience. Objects become the organisms we live with.«

Karim



FREE 5-YEAR PARTS AND LABOUR GUARANTEE. Gorenje offer a free 5-year parts and labour guarantee on all the Karim Rashid range. This guarantee shows confidence in our technology and excellent product quality.



THE TOUCH OF LIGHT

GORENJE designed by KARIM RASHID

A FUSION OF MINIMALISM AND COLOUR. PURE AND BOLD. FUNCTIONAL AND INTERACTIVE.

A contemporary collection distinctive for dynamic design, rounded lines and high-quality aluminium finish. Innovative design and integrated cutting-edge technology leave an impression of colour and versatility.

The magical LED-illuminated stripe evokes an individual experience of the space. Responding to a gentle touch, it will colour your world in one of the seven hues – for a while, or just for a moment.



MoodLite TECHNOLOGY. A TOUCH OF LIGHT AND COLOUR. DAY IN, DAY OUT, YET DIFFERENT EACH DAY. Seven colours for seven moods. Seven colours for seven days, or for each day at a time. Do not adapt to the moment – let the moment be shaped by your desires.

MysticWhite, BabyPink, HotPink, DeepPurple, SkyBlue, LimeGreen, JuicyOrange. Your home can be different. Each day and each moment, because you, too, are always different and never the same.



gorenje
twin

CHARM YOUR SENSES

INNOVATIVE TECHNOLOGY. A TOUCH OF PERFECTION. REFLECTIONS OF MAGICAL LIGHT AND MODERN AESTHETICS. Cuisine becomes a play, creation by touch which never fails. The colour of light echoes the colour of the moment. New generation ovens proudly feature a number of patented innovative solutions.



HomeMADE

The innovative design of the HomeMADE oven cavity, featuring a vaulted ceiling and rounded side walls, coupled with precisely thought-out heater element placement, delivers superior cooking results. This unique design is inspired by traditional wood-fired bread ovens and relies on highly efficient and fully uniform distribution of hot air.



DirecTOUCH

A perfect result in only three simple steps. Patent-pending electronic programming module is a revolutionary development in touch screen operation. Numerous preset programmes automatically set the right combination of heating elements, temperature, and cooking time, while additional settings make the using of the oven simpler and save even more of your precious time.



MoodLite

Aesthetics or functionality? Our cutting-edge technology delivers both. MoodLite technology does not only create the ambiance with the desired hue of colour; when activated, it also affords a look into the oven interior, while the red tint will warn you of high oven temperature. The light band is both an aesthetic form and an innovative function.



DirecTOUCH



HomeMADE



BigSpace



FastPreheat



Telescopic Guides



Dynamic Cooling



PerfectGrill



Ultra Cool Door



EcoClean enamel



AquaClean



MeatProbe



BO 87 KR

Built in single oven



Design

- HomeMADE® modelled on traditional wood-fired bread oven
- Glass control panel with aluminium patches
- Easily removable oven door
- EcoClean enamel coated oven interior
- Brushed aluminium
- Aluminium decor panel
- LED illuminated stripe: 7 colours

Electronic control

Multifunction oven - 60 l

- Super-size baking area



- Foldable top heater for easy cleaning
- DirecTOUCH - electronic control module
- Cool door

- DC+ DynamiCooling
- Eco Enamel
- AquaClean function

Standard equipment

- Grease filter
- Oven grid
- Telescopic oven guides - 3 levels
- Deep enamelled frying pan
- Shallow enamelled frying pan

Nominal power: **3.3 kW**

Energy consumption:

0.79 kWh (venting),

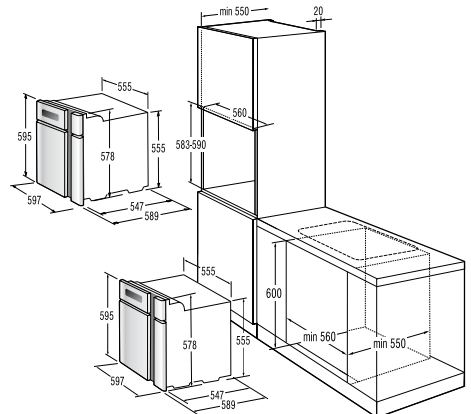
0.87 kWh (conventional)

Dimensions (W×H×D):

59.7 × 59.5 × 58.9 cm

Niche dimensions (W×H×D):

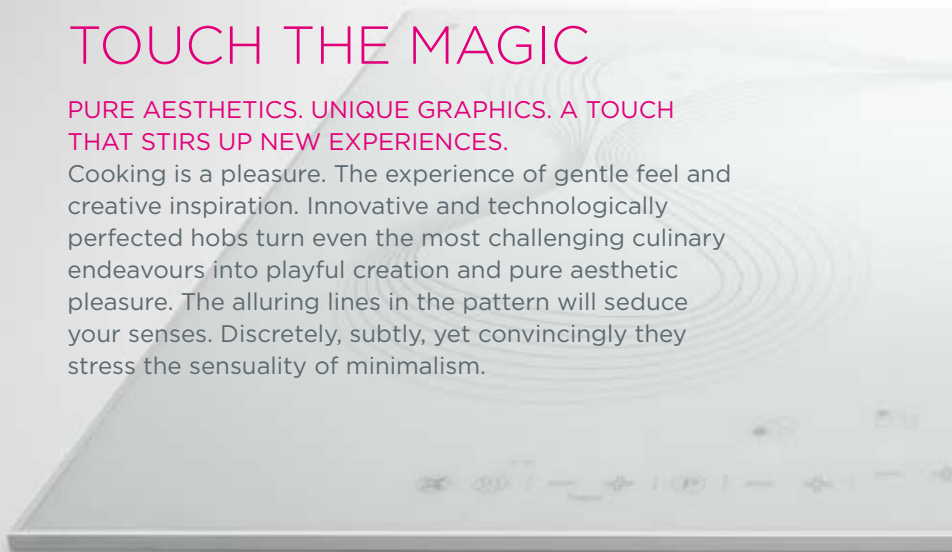
56-56.8 × 59-60 × 55 cm



TOUCH THE MAGIC

PURE AESTHETICS. UNIQUE GRAPHICS. A TOUCH THAT STIRS UP NEW EXPERIENCES.

Cooking is a pleasure. The experience of gentle feel and creative inspiration. Innovative and technologically perfected hobs turn even the most challenging culinary endeavours into playful creation and pure aesthetic pleasure. The alluring lines in the pattern will seduce your senses. Discretely, subtly, yet convincingly they stress the sensuality of minimalism.







Induction

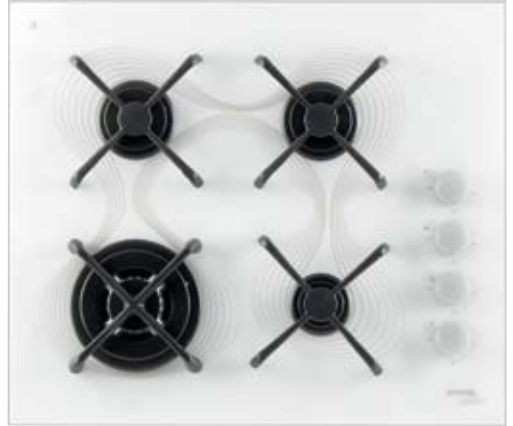
The cutting-edge white hob boasts speed, low power consumption, safety, and touch control. The PowerBoost function additionally increases the performance and capacity of the induction zone. The instantaneous response prevents liquid from boiling over and spares you the tedious cleaning.



Gas hob with a wok burner

Modern gas hob on stylish white glass, with ergonomically designed knobs and excellent layout, is a perfect setting for superior cooking results. The fans of Asian cuisine will be thrilled by the wok burner that delivers three rings of flame, formidable heating power, instantaneous response, and rapid performance.



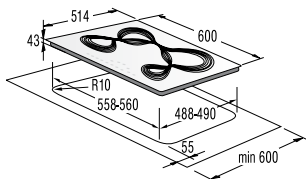


IT 641 KR

Induction hob



- Aluminium edge
- BoilControl helps prevent pans from boiling over
- PowerBoost function
- StopGo
- Timer function
- Safety device
- Safety control hob lock
- Residual heat indicator
- 4 induction cooking zones:
left front: Ø 21 cm, 2.3/3.7 kW,
right front: Ø 18 cm, 1.85/3 kW,
left behind: Ø 14,5 cm, 1.4/2.2 kW,
right behind: Ø 18 cm, 1.85/3 kW
- Nominal power: **7.4 kW**
- Dimensions (W x H x D): **60 x 4.7 x 51.4 cm**
- Niche dimensions (W x H x D): **56 x 4.3 x 49 cm**

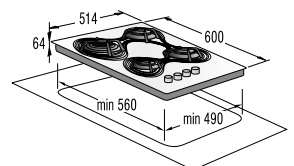


GC 650 KR

Gas on glass hob



- Ergonomic knobs
- Aluminium edge
- Single-handed ignition
- 4 burners: 2 standard burners, 1 auxiliary burner, 1 triple burner
left front: Ø 13.1 cm, 3.8 kW,
right front: Ø 5 cm, 1 kW,
left behind: Ø 6 cm, 1.75 kW,
right behind: Ø 6 cm, 1.75 kW
- Flame protected burners
- LPG jets included
- Dimensions (W x H x D): **60 x 10.5 x 51.4 cm**
- Niche dimensions (W x H x D): **56 x 6.4 x 49 cm**



LIGHT YOUR WAY

THE FRESHNESS OF NEW FORM. INNOVATIVE FEATURES. ENDOW YOUR SPACE WITH AIR AND LIGHT. In a modern kitchen, the cooker hood is the expressive element of design and the most appealing feature of the space. A single touch of the MoodLite stripe will turn the space into an oasis of select hues that will caress the senses and evoke a very special atmosphere.

MOODLITE
KITCHEN





Halogen lighting

In addition to its primary function of vapour extraction and air filtration, the cooker hood is an additional source of light that provides optimum illumination of the cooker surface. Halogen lighting is also more powerful and economical.



MoodLite

The multi-colour LED-illuminated stripe visually merges the cooker hood with the BO 87 KR oven. Colours for every mood and ambiance. Smoothly uniform and harmonious.



TouchControl

The electronic version of the cooker hood is a breakthrough in user-friendly operation. Carefully studied positioning of the control section on the LED-illuminated stripe enables simple setting of the extraction power adjustable in four levels.





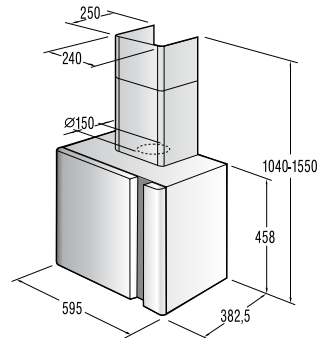
DQGA 65 KR

Wall mounted cooker hood



Design

- Colour of aluminium
 - Aluminium housing
 - Electronic control
 - Control: Touch control
 - Operation indicator
-
- Venting with air extraction or recirculation
 - Venting tube diameter: 15 cm
 - Maximum extraction rate by extraction operation: 582 m³/h
 - Maximum extraction rate by recirculation operation: 319 m³/h
 - 4 venting speeds
-
- Halogen lightning: 2 × 20 W max
 - Aluminium grease filter
 - Grease filter indicator
 - 1 motor
 - Coal filter: 163687
 - Odour filter (optional accessory)
 - Supply power: 220 W max
-
- Dimensions: Width x depth: **59,5 × 38,25 cm**
 - Hood height without chimney: **45,8 cm**
 - Height of the chimney (min/max): **56,4 / 107,4 cm**







DESIGNED BY

karim

gorenje

Gorenje UK Ltd.
Tuition House, 27 - 37 St. George's Road, London SW19 4EU,
United Kingdom
Tel.: +44 20 82 47 39 80
Fax: +44 20 82 47 39 99
Email: info@gorenjeuk.co.uk
www.gorenje.co.uk
www.gorenje.com/karimrashid

For your nearest Karim Rashid retailer please contact Gorenje on 020 8247 3980 or info@gorenjeuk.co.uk